

## DLJ range Fresnel Spotlight



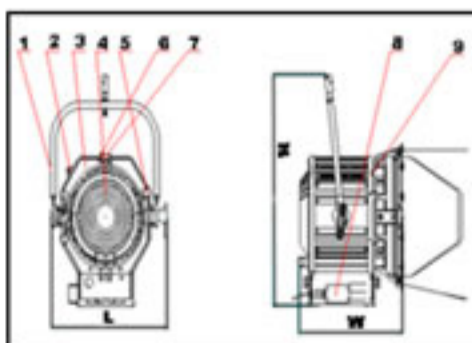
### Models of Fixture:

The housing consists primarily of pressure die cast and extruded aluminium. Extruded venting grids and double level construction. Provide high reliability and precision. Smooth spot-to-flood adjustment is available in operation. Dark non-reflective construction. Rotating barn door. The fixture is open-faced for easy and smooth operation. Locking mechanism is provided for safety purpose. Lens with Fresnel optical glass and reflector of high reflectivity offer an even and constant spot-to-flood range. Lamp holders made of fine quality alloy materials conform to domestic and international safety requirements and feature excellent conductivity, fair contact, electrical flicker resistance and electrical arc resistance. A primary luminaire for studios and field lighting.

### Technical Data

Item No.	Wattage (W)	Color Temperature (K)	Distance Measured (M)	Optical Properties (for reference only)			Dimensions (mm)	Weight (Kg)	Spigot (mm)	Wattage (W)	Bayonet Peg(Central Height)	
				Beam	Central Intensity(Lux)	Diameter of Field(M)					Domestic Criteria	Domestic Criteria
DLJ II-1000	1000	3200	5	Spot	6200	1.09	350 × 340 × 590	8	φ 22 × 70	1000	G15(106)	G22(63.5)
				Flood	1200	4.05						
DLJ II-2000	2000	3200	5	Spot	12000	1.37	425 × 400 × 640	10.50	φ 22 × 70	2000	G15(106)	G38(127)
				Flood	2100	6.6						
DLJ II-3000	3000	3200	5	Spot	18000	1.09	425 × 400 × 640	10.60	φ 22 × 70	3000	G25(145)	G38(127)
				Flood	2600	4.05						

### Construction diagram:



- 1.Yoke
- 2.Security wire hole
- 3.light body
- 4.lens
- 5.front screws
- 6.fix axis
- 7.moveable clamp
- 8.cable cabinet
- 9.security wire for light body and barn